

Tablet Wall Mount



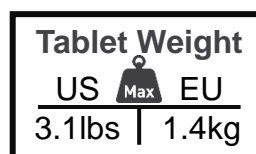
Black

**Black &
White**

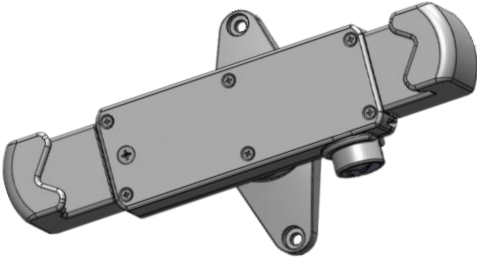









For more information: [barkanmounts.com](https://www.barkanmounts.com)

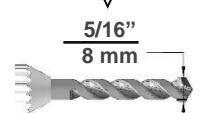
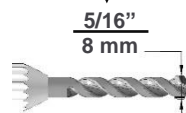
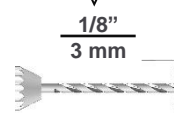
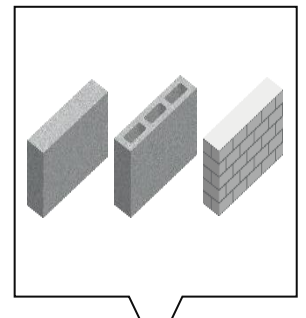
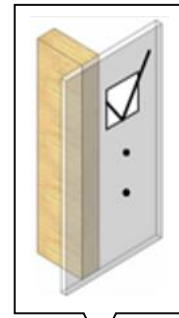
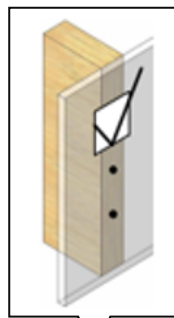
If you are satisfied with the product, please give us a 5 stars ★★★★★ rating on the website you bought it from. If you are not satisfied please contact us at <https://www.barkanmounts.com/support> and we will solve the problem for you.



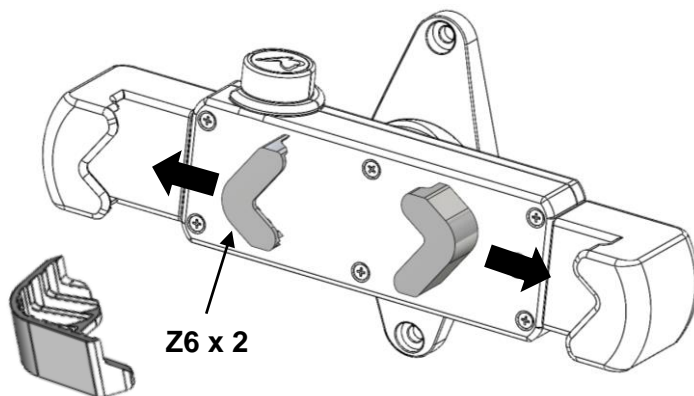
Safety instructions and installation warnings (provided separately) must be read in full, prior to assembly.

<p>A</p> 			<p>x1</p>
<p>Z1</p>  <p>x2</p>	<p>Z2</p>  <p>x2</p>	<p>Z3</p>  <p>x2</p>	
<p>Z4</p>  <p>x2</p>	<p>Z5</p>  <p>x2</p>	<p>Z6</p>  <p>x2</p>	
<p>Z7</p>  <p>x2</p>			

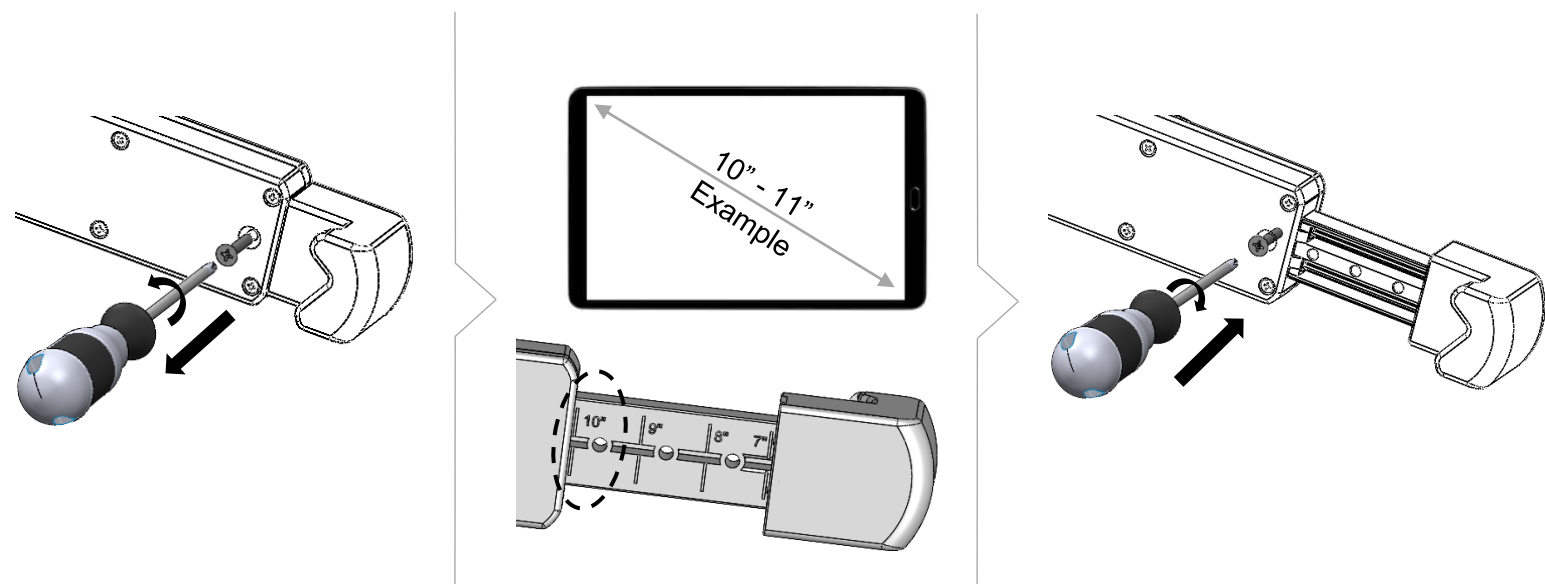
Required Tools



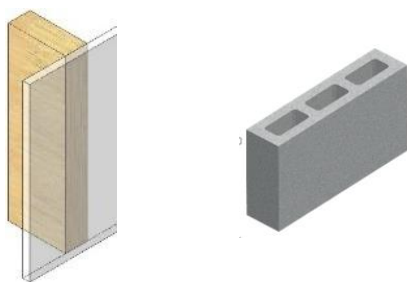
1 Place the PVC pads inside the clamp holders



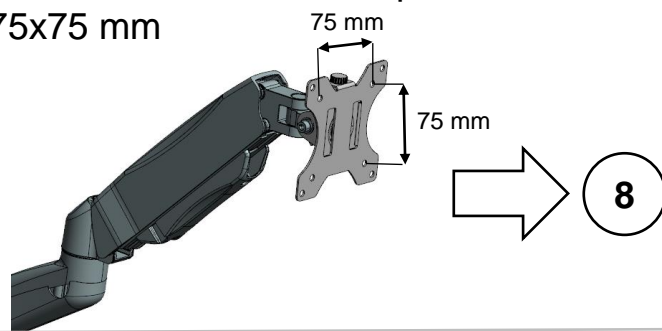
2 Loosen the screw, open the ruler on the back according to your device size and tighten the screw.
 Example - device 10" to 11", open the ruler to 10".



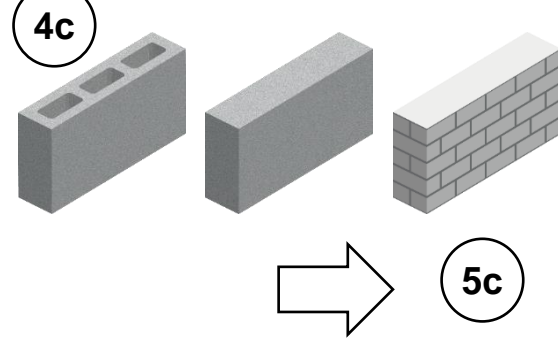
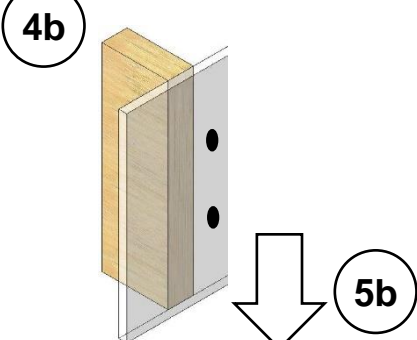
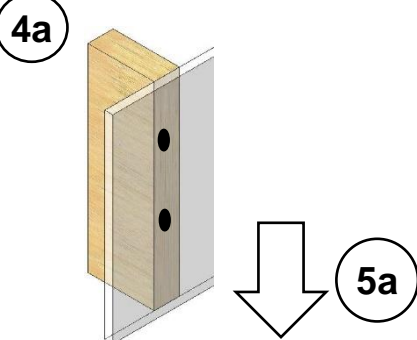
3 Wall installation



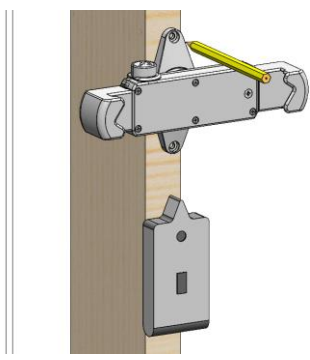
Installation on a monitor mount plate that is 75x75 mm



Follow the steps according to your wall type

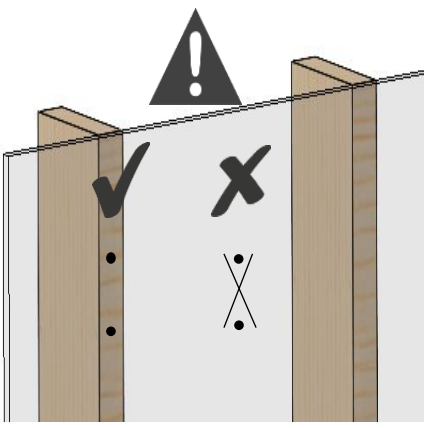


5a

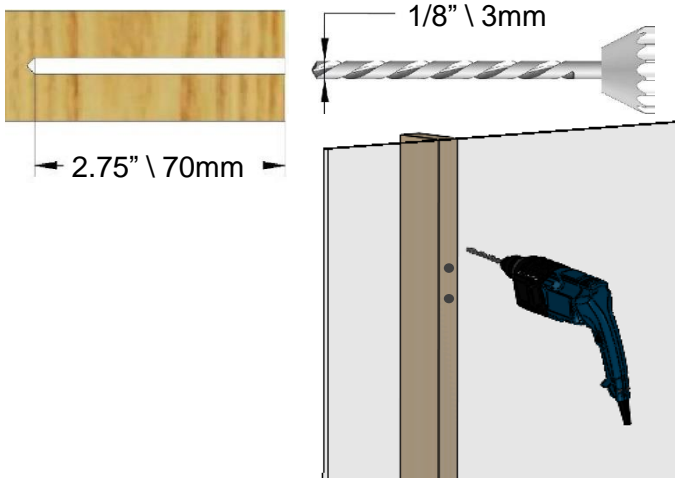


Use a Stud Finder

Make sure all holes are drilled inside the studs

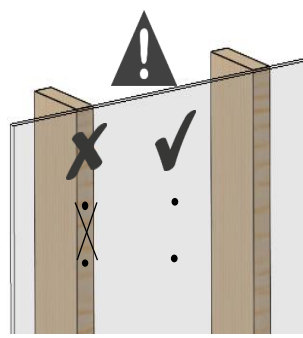
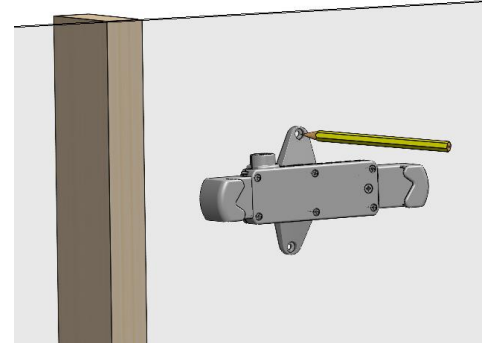


Drill with 1/8" \ 3mm drill bit

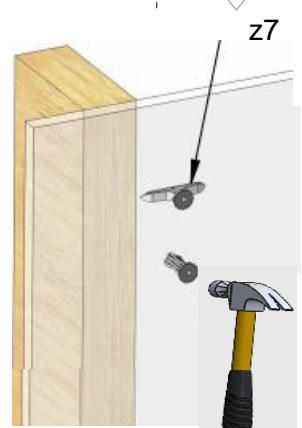
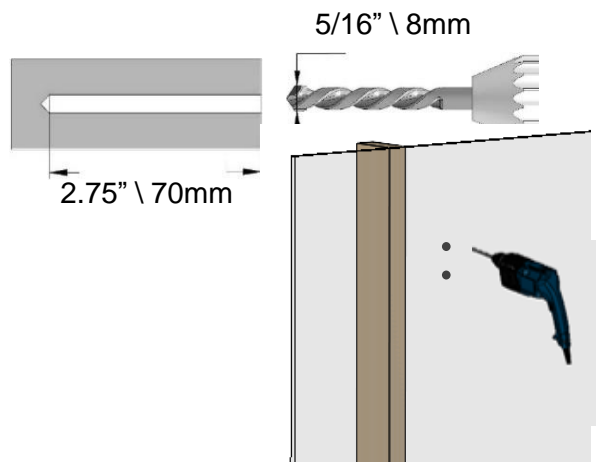


➔ 6

5b

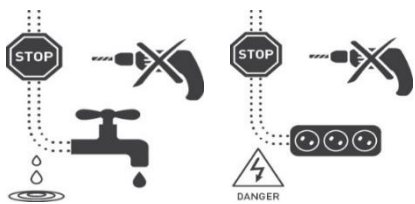
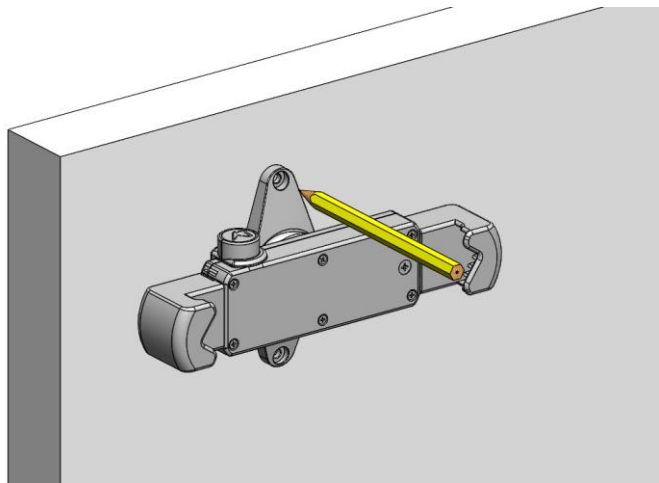


Drill with 5/16" \ 8 mm drill bit

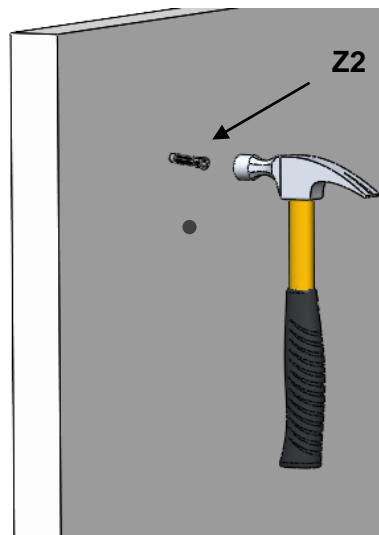
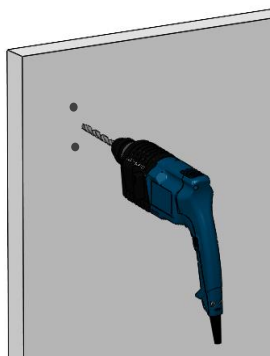
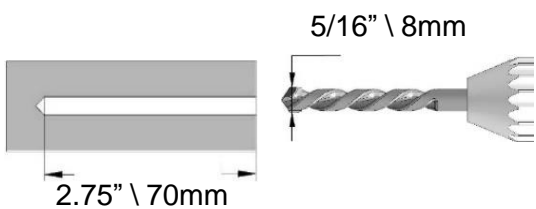


➔ 6

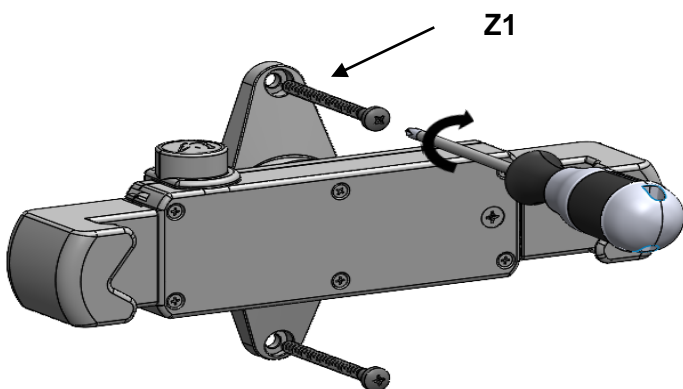
5c



Drill with 5/16" \ 8 mm drill bit

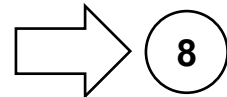
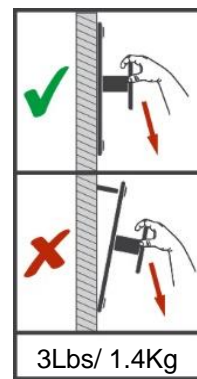
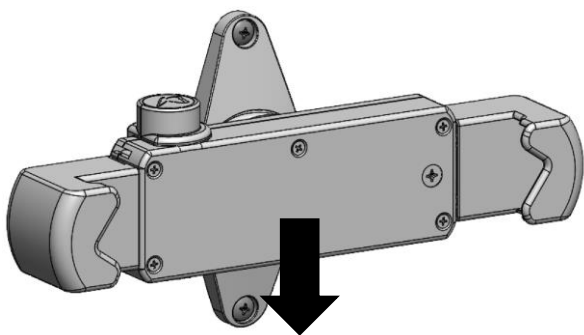


6



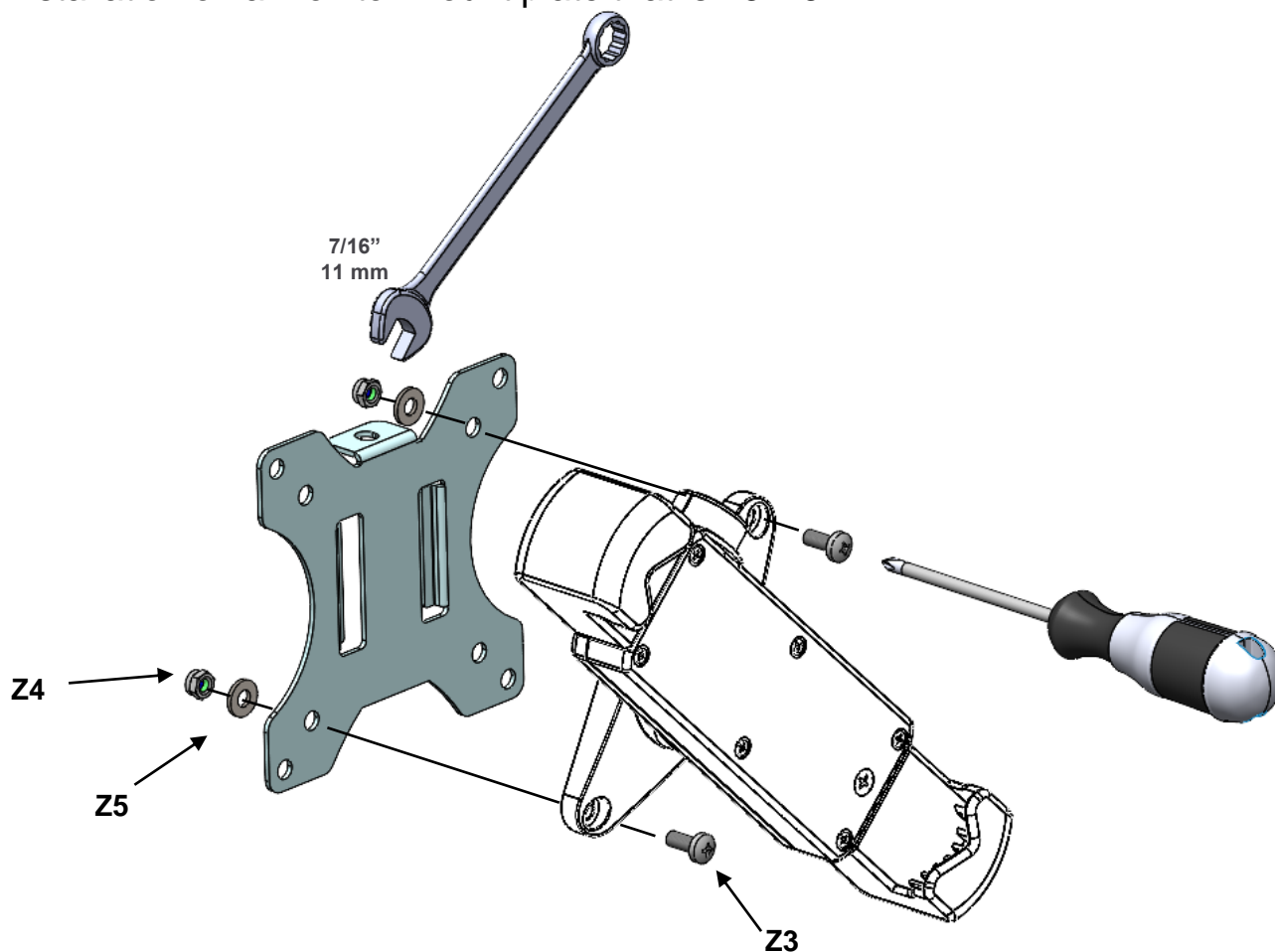
6 Weight test

Apply force on the upper part of the mount and make sure it is well connected



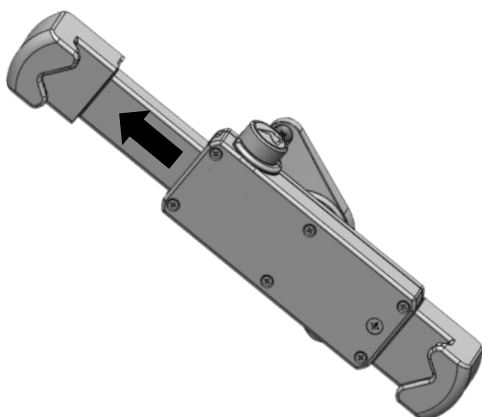
8

7 Installation on a monitor mount plate that is 75x75 mm



8 Tablet installation

Open the clamp



Close the clamp on your device

